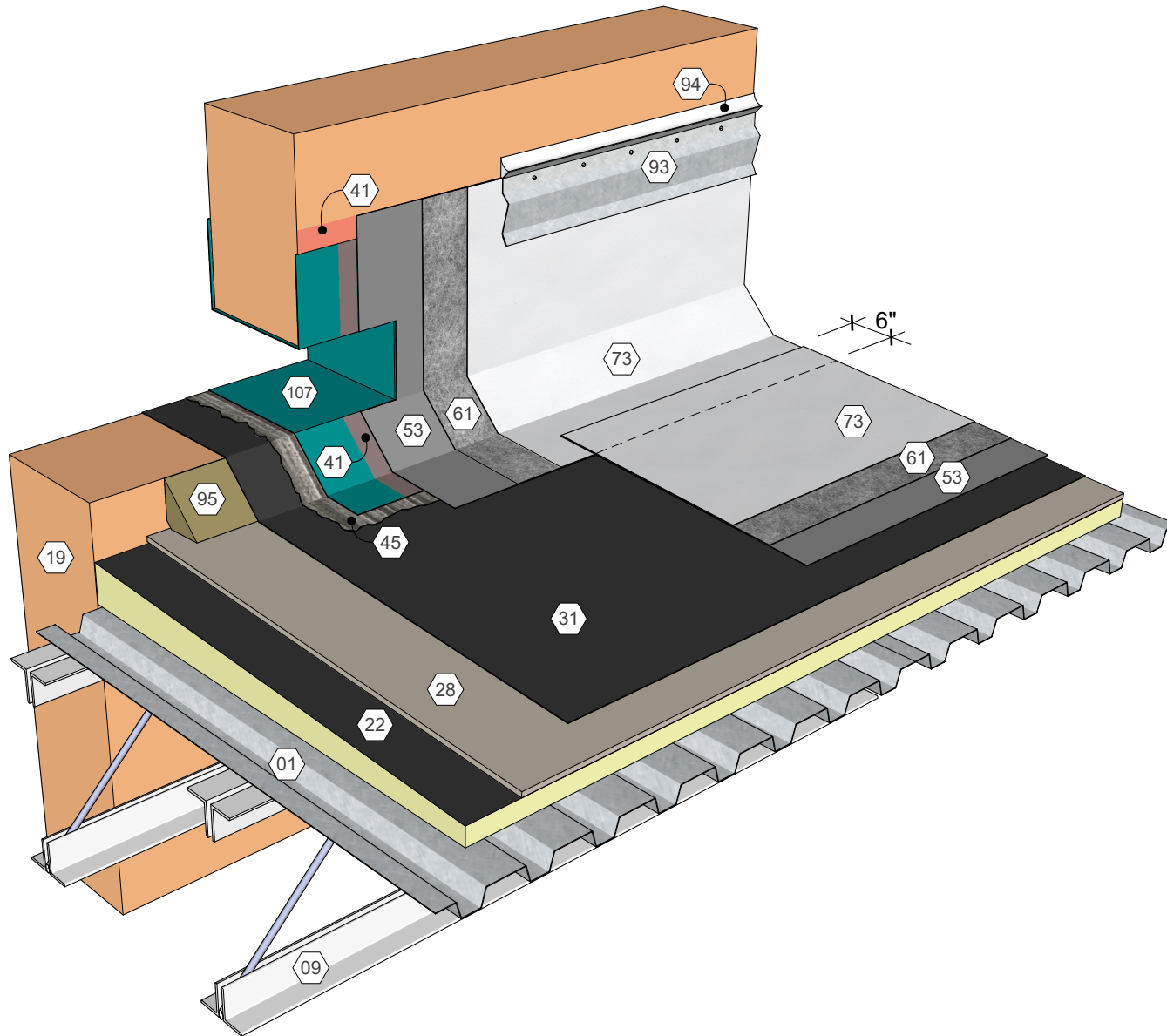


KEY NOTES

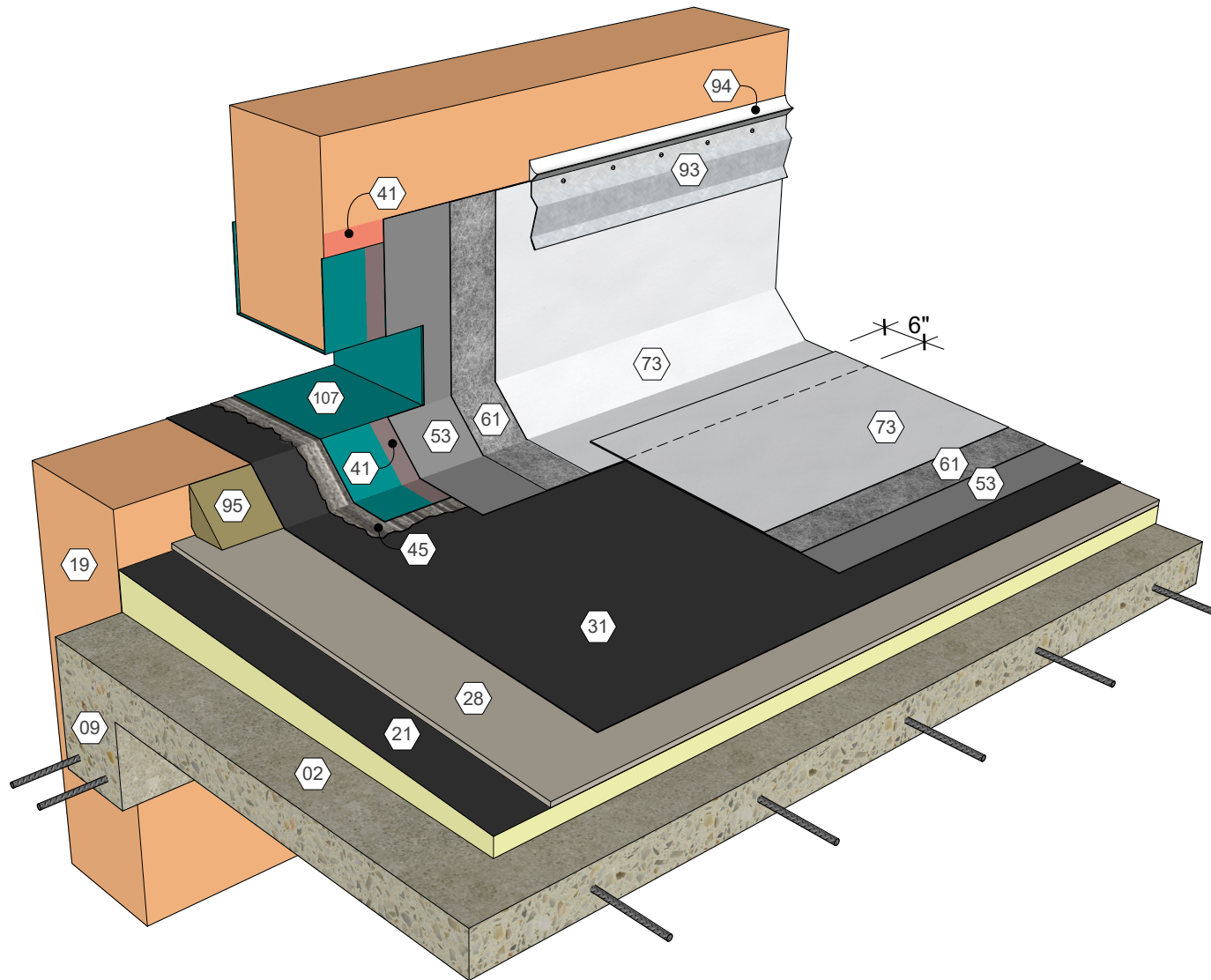
- 01 Metal Deck
- 09 Roof Structure
- 19 Wall Assembly
- 22 Polyisocyanurate Insulation (Fastened or Adhered)
- 28 Cover Board (Adhered)
- 31 Approved Base Ply Sheet
- 41 Approved Primer
- 45 Roofing Mastic
- 53 AlphaGuard PUMA Base Coat
- 61 AlphaGuard Glass Mat or Permafab
- 73 AlphaGuard PUMA Top Coat
- 93 Counterflashing, Optional
- 94 Tremseal D, Optional
- 95 Cant Strip
- 107 Sheet Metal Scupper



AlphaGuard® PUMA Plus Overflow Scupper Detail, Metal Deck
Detail 24241

KEY NOTES

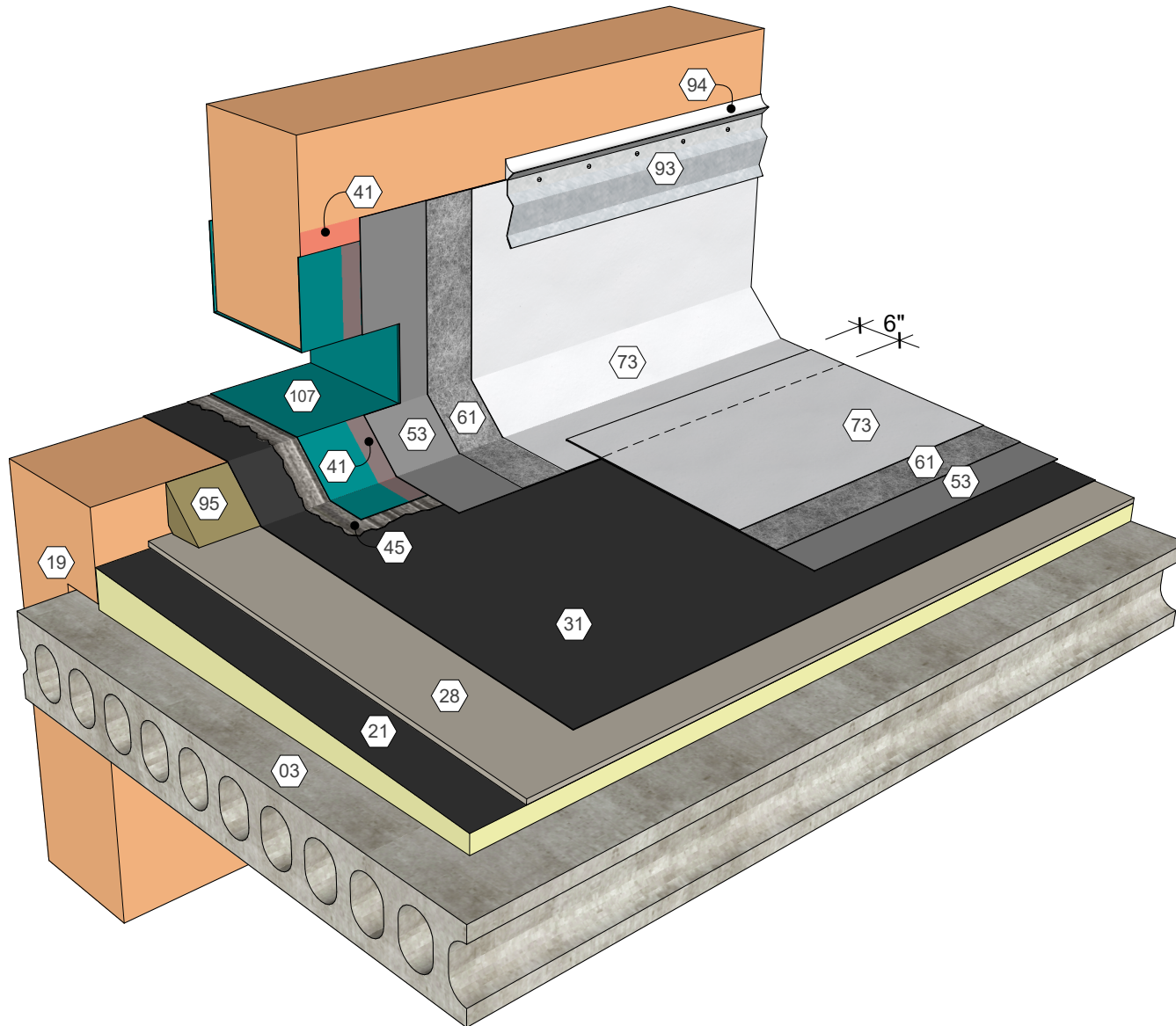
- ①02 Structural Concrete Deck
- ①09 Roof Structure
- ①19 Wall Assembly
- ①21 Polyisocyanurate Insulation (Adhered)
- ①28 Cover Board (Adhered)
- ①31 Approved Base Ply Sheet
- ①41 Approved Primer
- ①45 Roofing Mastic
- ①53 AlphaGuard PUMA Base Coat
- ①61 AlphaGuard Glass Mat or Permafab
- ①73 AlphaGuard PUMA Top Coat
- ①93 Counterflashing, Optional
- ①94 Tremseal D, Optional
- ①95 Cant Strip
- ①07 Sheet Metal Scupper



AlphaGuard® PUMA Plus Overflow Scupper Detail, Structural Concrete Deck
Detail 24242

KEY NOTES

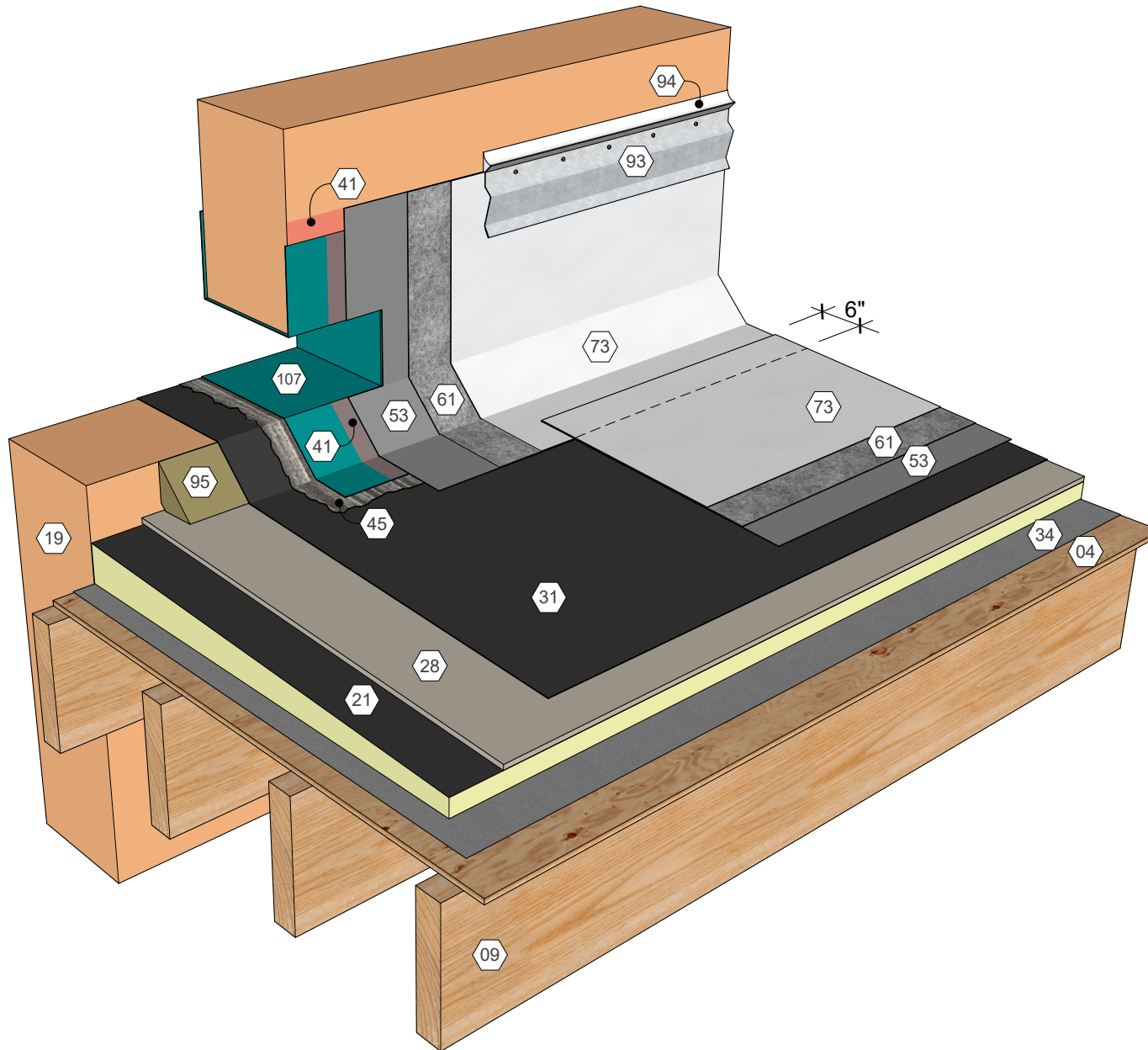
- 03 Precast Concrete Deck
- 19 Wall Assembly
- 21 Polyisocyanurate Insulation (Adhered)
- 28 Cover Board (Adhered)
- 31 Approved Base Ply Sheet
- 41 Approved Primer
- 45 Roofing Mastic
- 53 AlphaGuard PUMA Base Coat
- 61 AlphaGuard Glass Mat or Permafab
- 73 AlphaGuard PUMA Top Coat
- 93 Counterflashing, Optional
- 94 Tremseal D, Optional
- 95 Cant Strip
- 107 Sheet Metal Scupper



AlphaGuard® PUMA Plus Overflow Scupper Detail, Precast Concrete Deck
Detail 24243

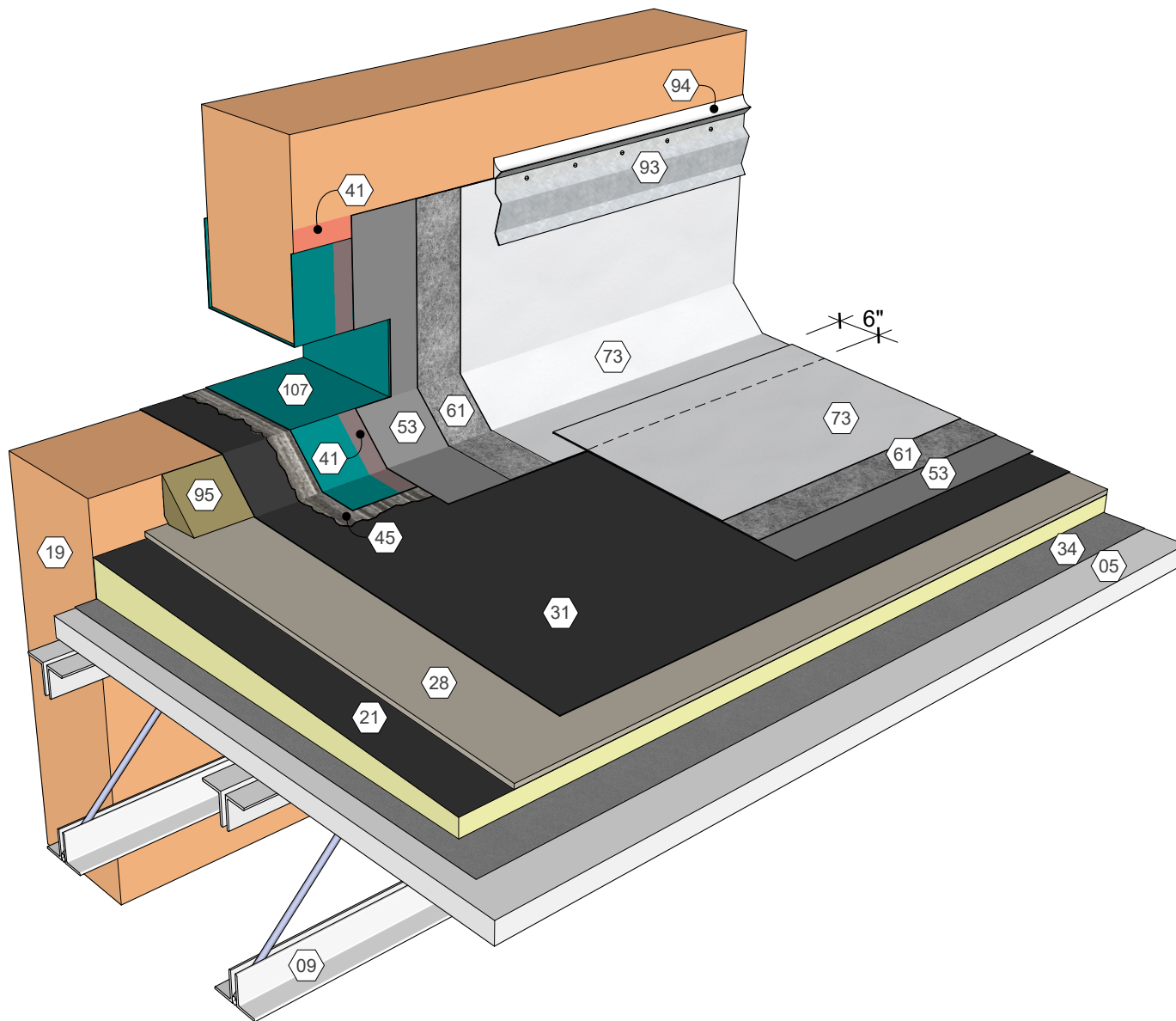
KEY NOTES

- ④ Wood Deck
- ⑨ Roof Structure
- ⑱ Wall Assembly
- ⑳ Polyisocyanurate Insulation (Adhered)
- ㉘ Cover Board (Adhered)
- ㉛ Approved Base Ply Sheet
- ㉜ Base Sheet (Fastened)
- ㉝ Approved Primer
- ㉞ Roofing Mastic
- ㉟ AlphaGuard PUMA Base Coat
- ① AlphaGuard Glass Mat or Permafab
- ② AlphaGuard PUMA Top Coat
- ③ Counterflashing, Optional
- ④ Tremseal D, Optional
- ⑤ Cant Strip
- ⑥ Sheet Metal Scupper



AlphaGuard® PUMA Plus Overflow Scupper Detail, Wood Deck
Detail 24244

TREMCO
ROOFING & BUILDING MAINTENANCE



KEY NOTES

- 05 Gypsum Deck
- 09 Roof Structure
- 19 Wall Assembly
- 21 Polyisocyanurate Insulation (Adhered)
- 28 Cover Board (Adhered)
- 31 Approved Base Ply Sheet
- 34 Base Sheet (Fastened)
- 41 Approved Primer
- 45 Roofing Mastic
- 53 AlphaGuard PUMA Base Coat
- 61 AlphaGuard Glass Mat or Permafab
- 73 AlphaGuard PUMA Top Coat
- 93 Counterflashing, Optional
- 94 Tremseal D, Optional
- 95 Cant Strip
- 107 Sheet Metal Scupper

AlphaGuard® PUMA Plus Overflow Scupper Detail, Gypsum Deck
Detail 24245